

ENG 004 Lecture 9, Oct 25, 2012

Announcements

- Homework #4 due Tuesday: Any questions?
- Midterm is one week from today: Thursday, November 1
- Some practice graphics problems with solutions will be posted this weekend
- Midterm will cover all of Chapters 1, 2, 3, 4, 5, lecture material, and studio material.
- Last in-class assignment grades and solution will be posted soon.

Topics

Oblique lines

Runouts, intersection of cylinders

Minimum # of views

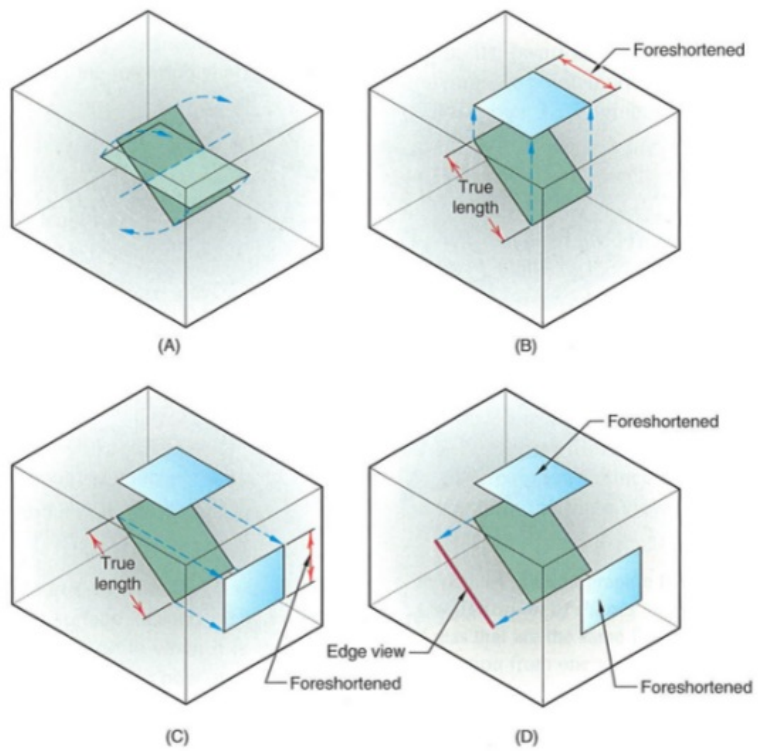
Revolution conventions

Constraints

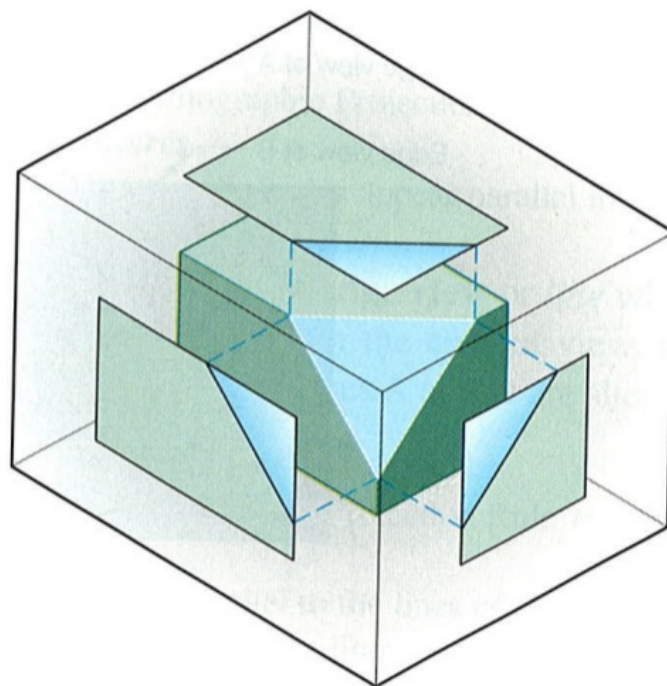
Basic Features: Extrude, Sweep, Revolve, Loft

Advanced Features: Holes, fillets, chamfers

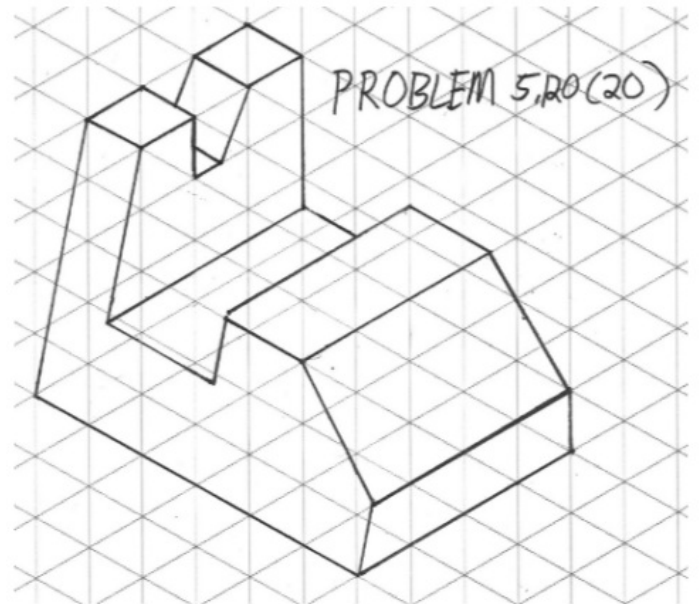
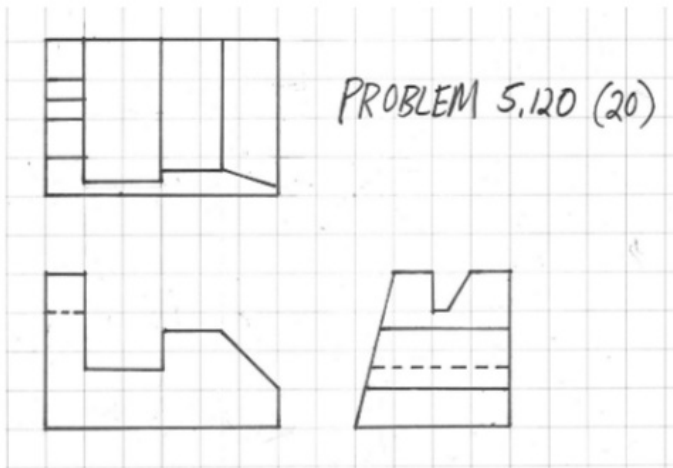
Oblique Lines



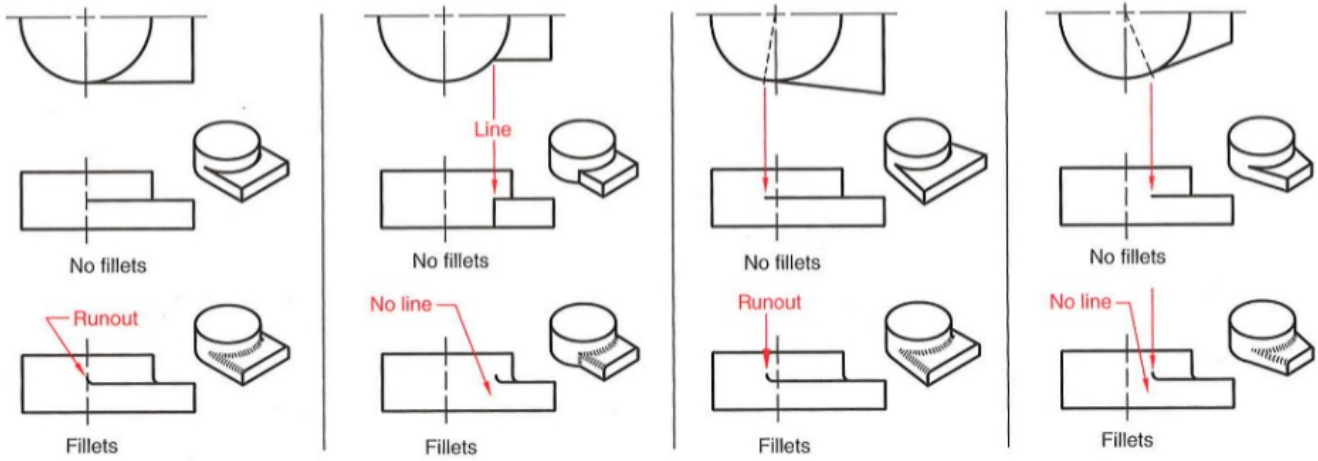
Oblique Lines



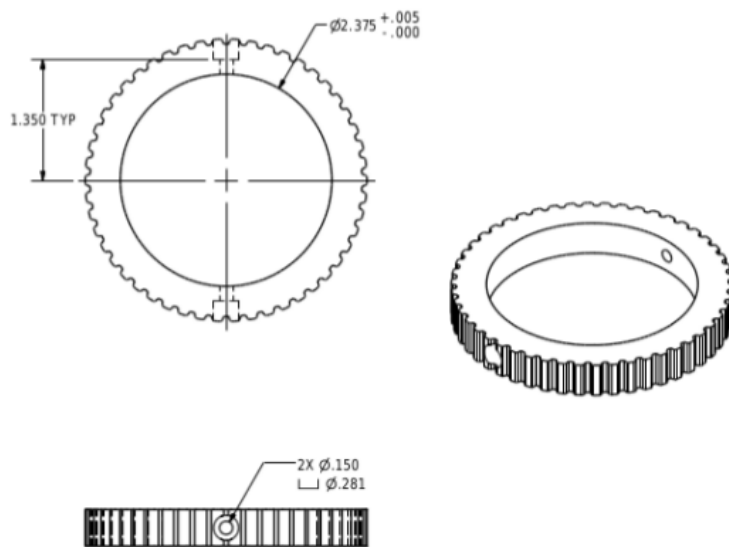
Oblique Lines



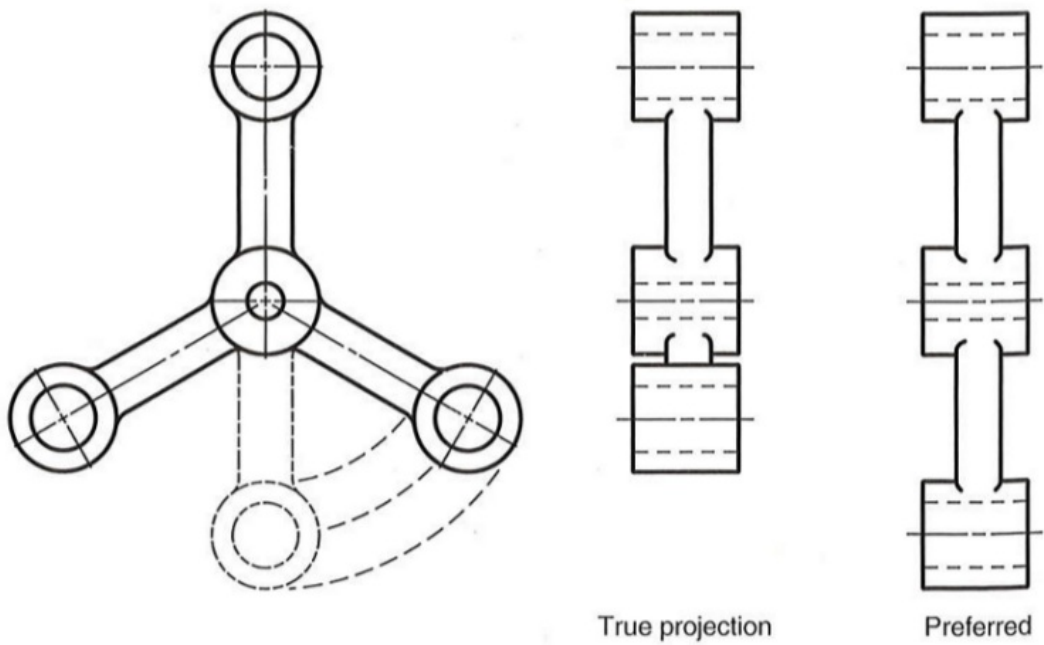
Fillets/Rounds and Runouts



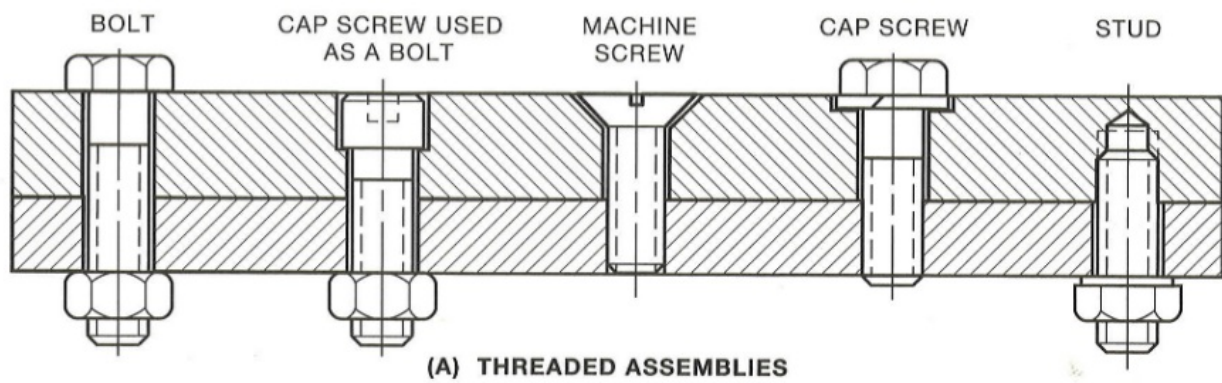
Minimum Number of Views



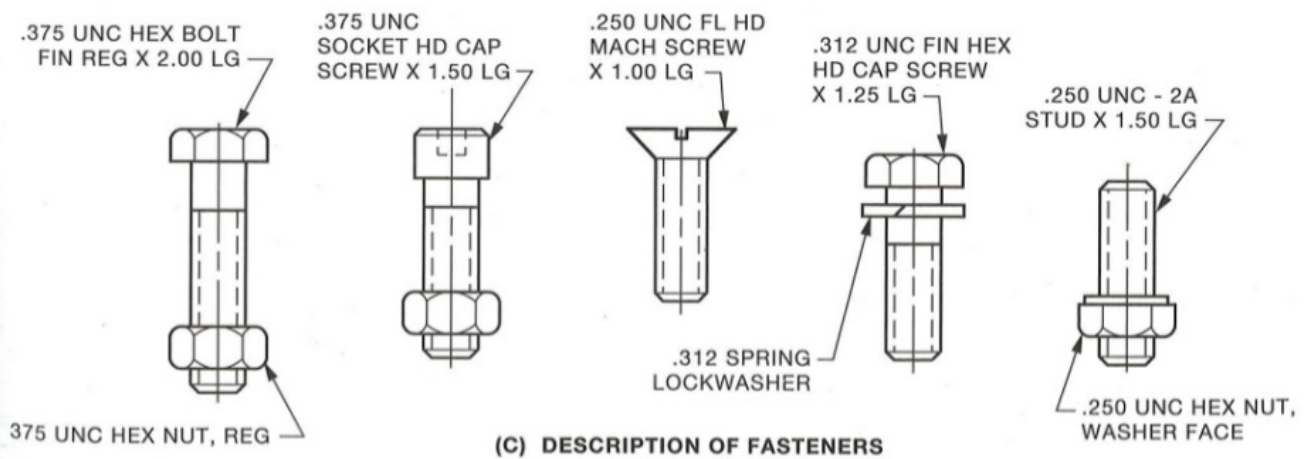
Revolution Conventions



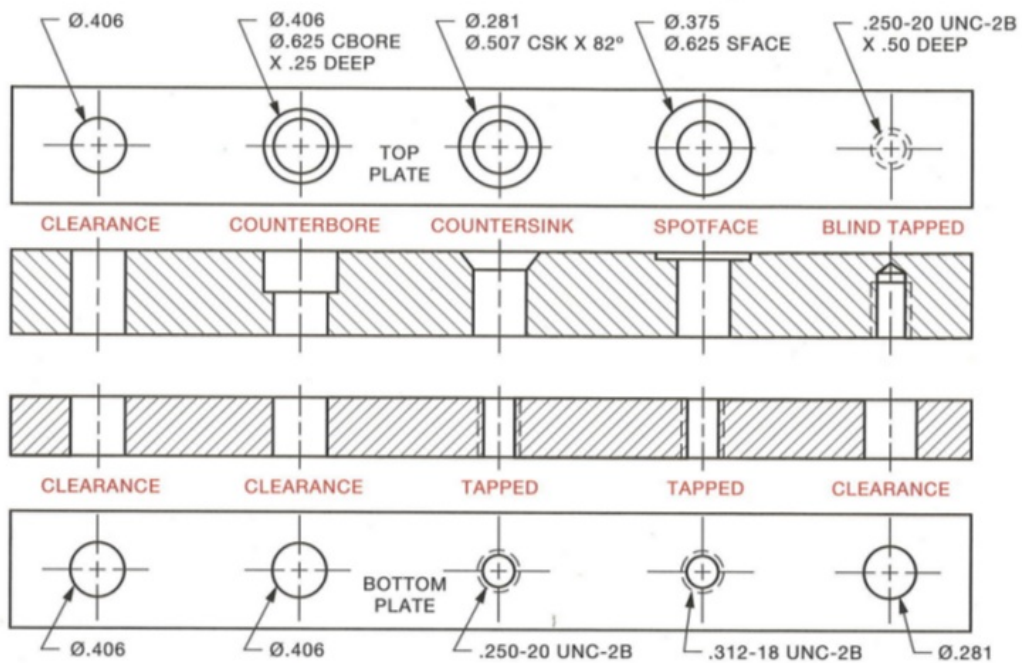
Bolted Connections



Bolted Connections

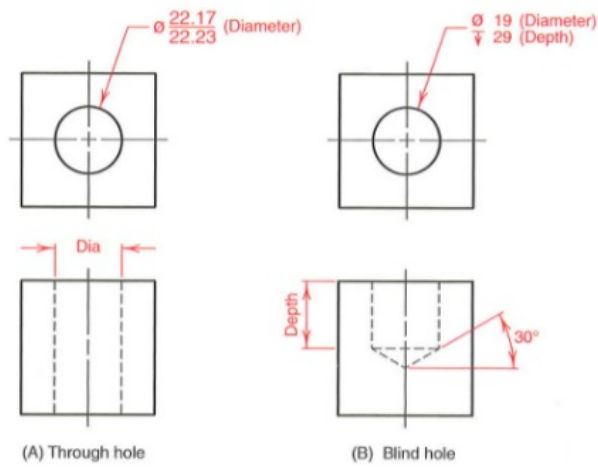


Holes



(B) DIMENSIONING HOLES

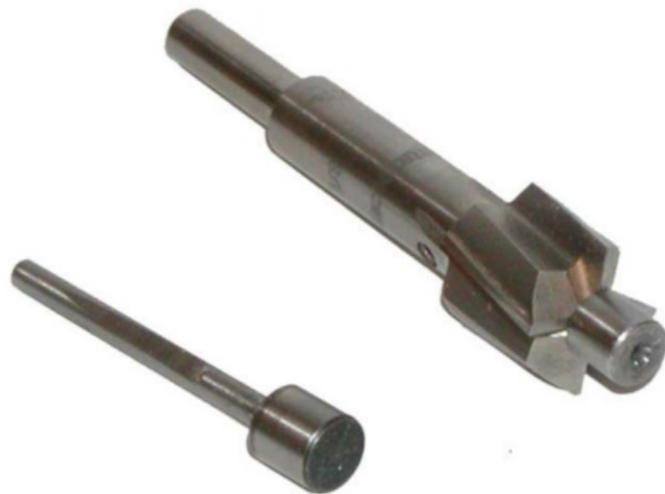
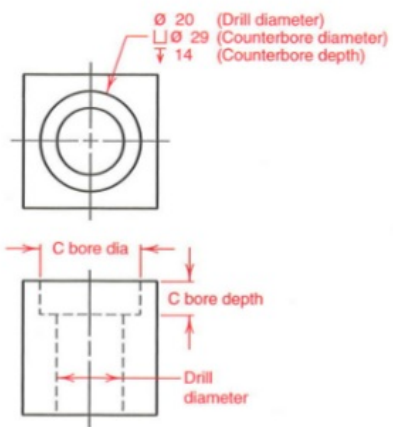
Holes: Through and Blind



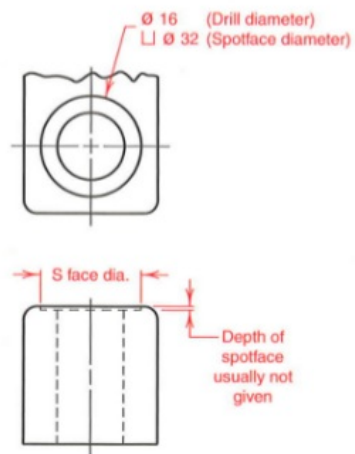
Holes: Countersink



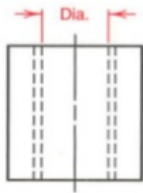
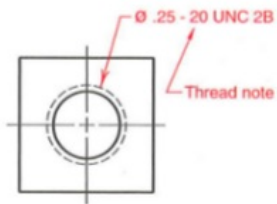
Holes: Counterbore



Holes: Spotface



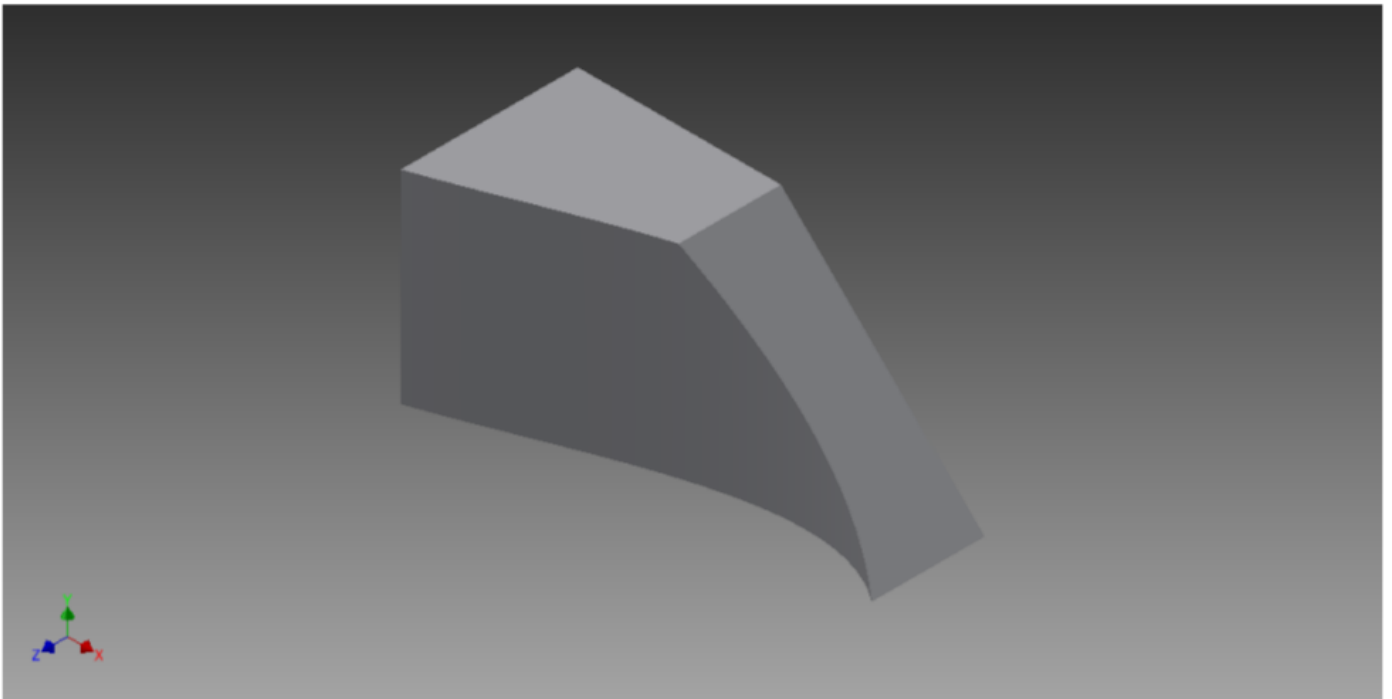
Holes: Threaded



(F) Threaded hole

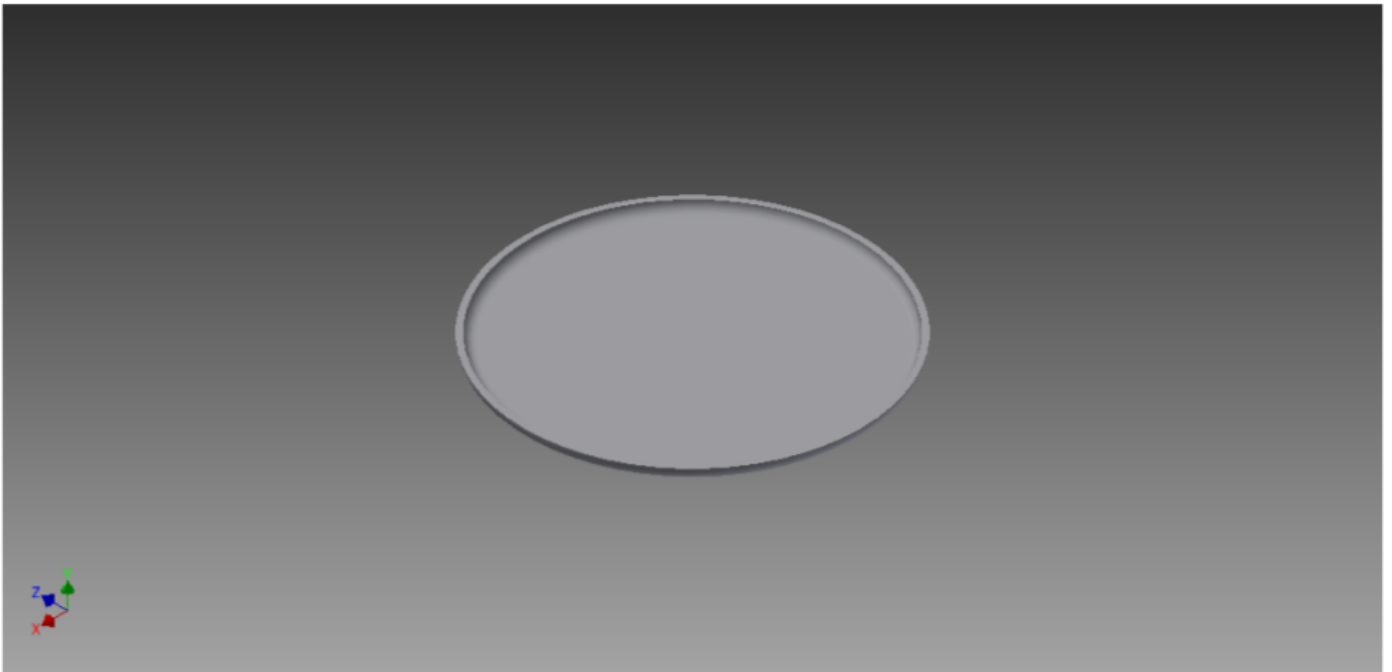


Extrude (Linear Sweep)



[Click image to download Inventor .ipt file](#)

Revolve



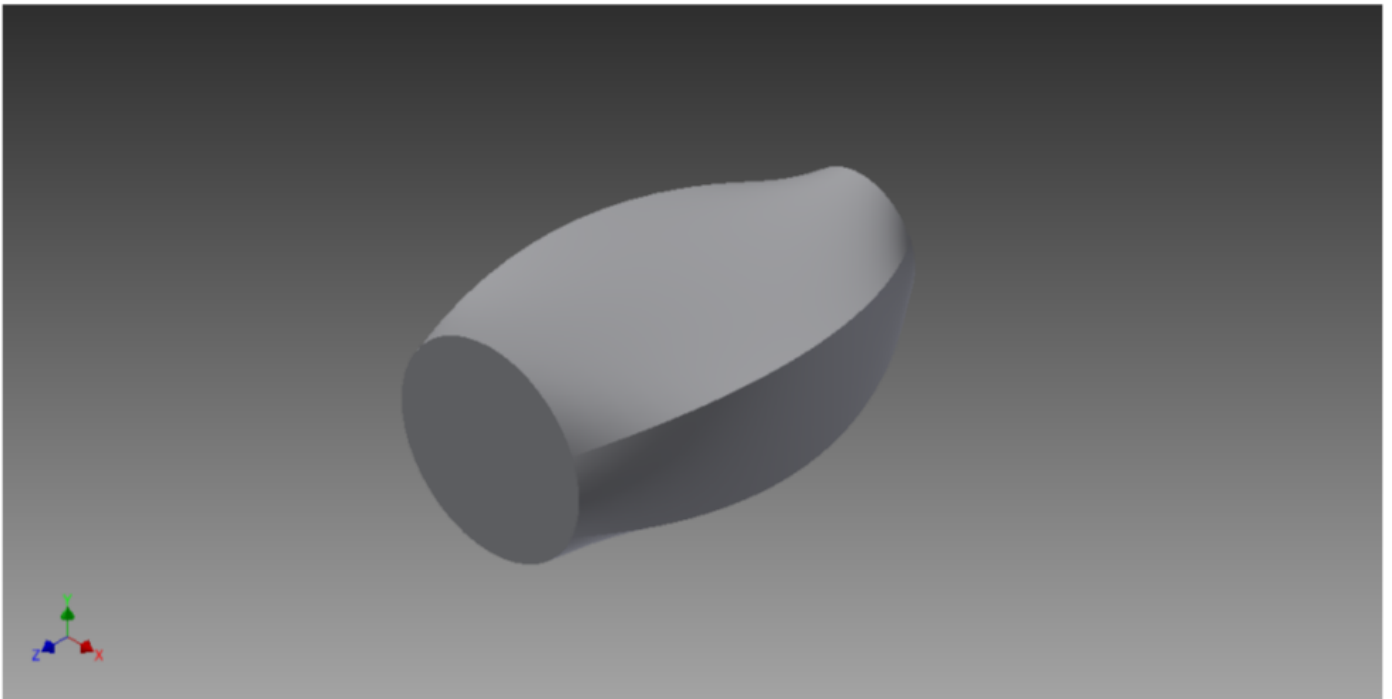
[Click image to download Inventor .ipt file](#)

Sweep



[Click image to download Inventor .ipt file](#)

Loft



[Click image to download Inventor .ipt file](#)