

ENG 004 Lecture 18, Nov 29, 2012

Announcements

- Homework #7 due today
- Homework #8 posted after class, due Thursday Dec 6
- Read Chapter 6

Topics

- Auxiliary Views

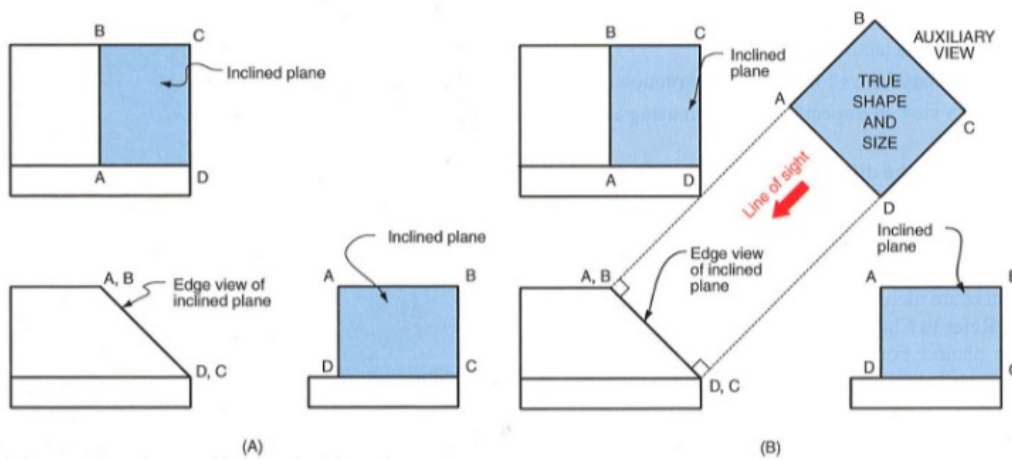
Project Requirements

- Project Requirements
- Peer Evaluation

Auxiliary View

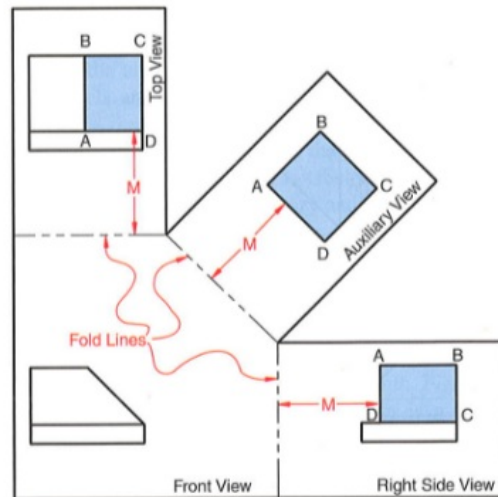
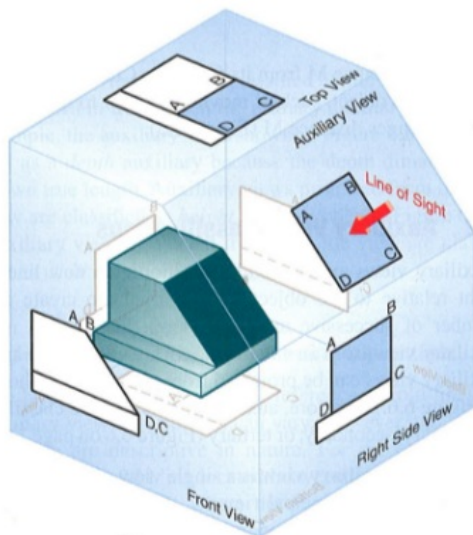
An orthographic view that is projected onto any plane other than one of the six principal views of an object.

Used to show detail in its true size when this detail is inclined relative to the principal planes.

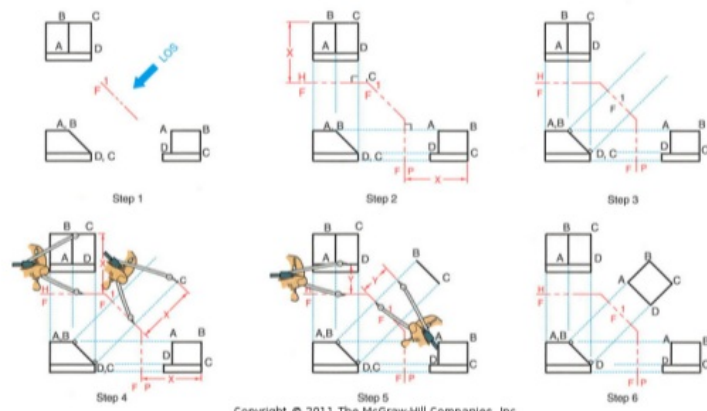
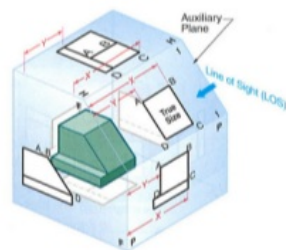


Folding Lines

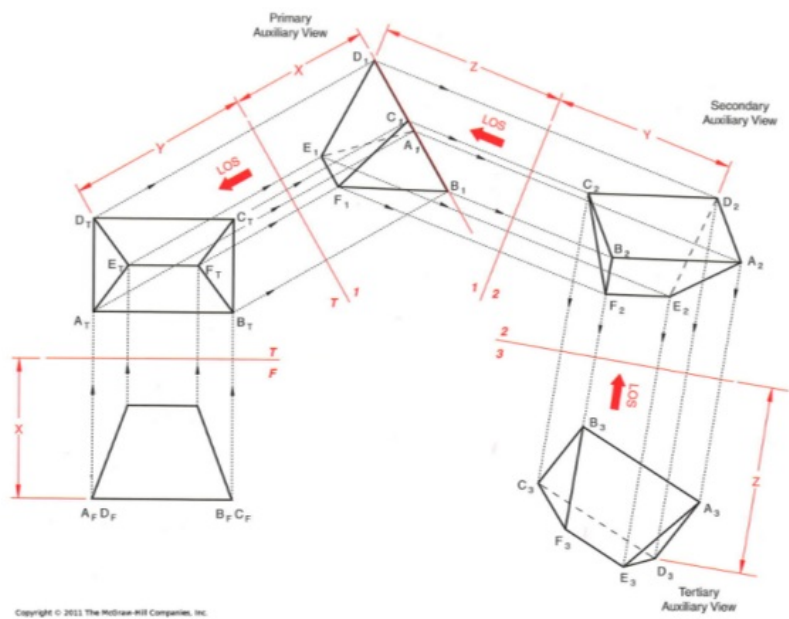
Represents orthogonal intersections of projects planes before unfolding. The are between adjacent views



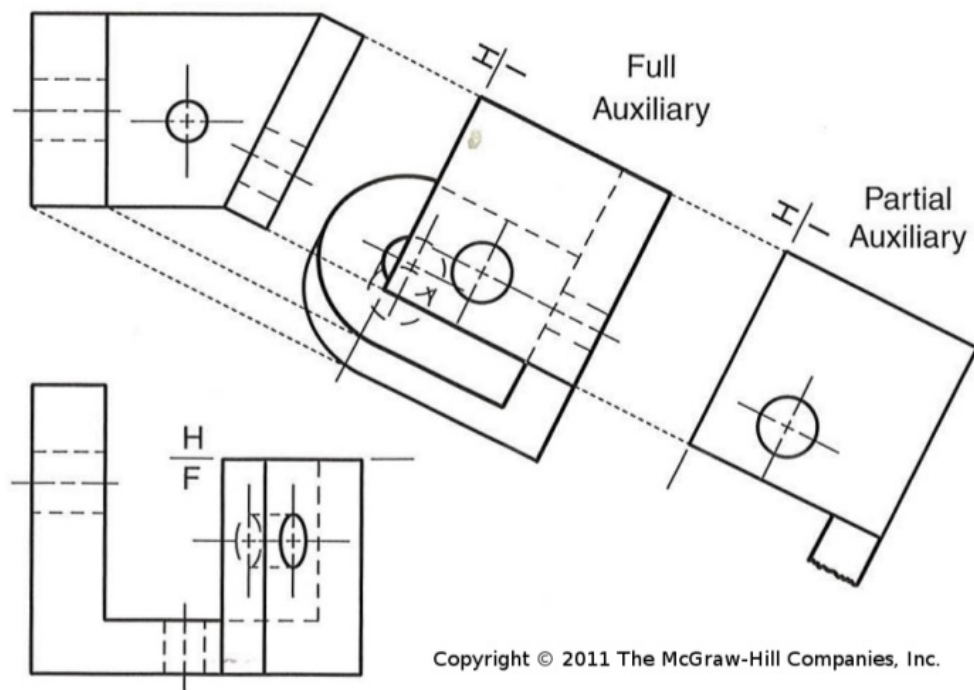
Depth



Primary, Secondary, Tertiary Views

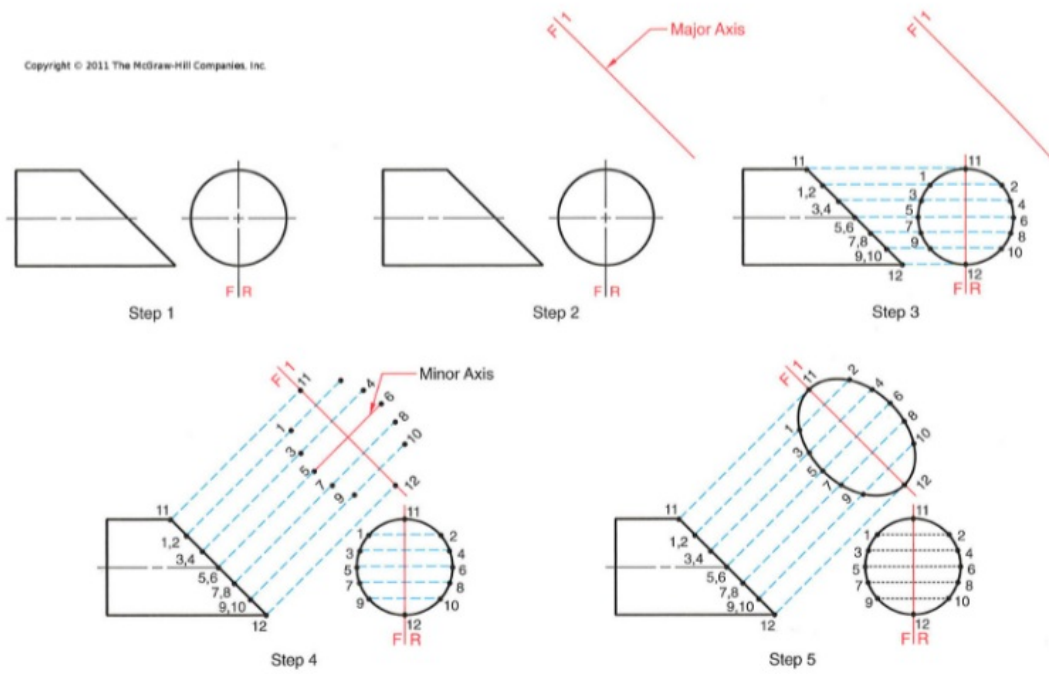


Partial Auxiliary View

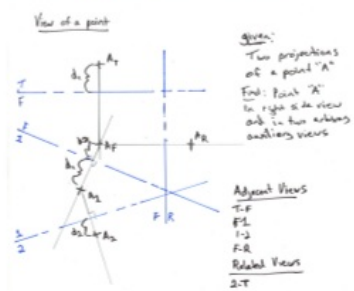


Curves

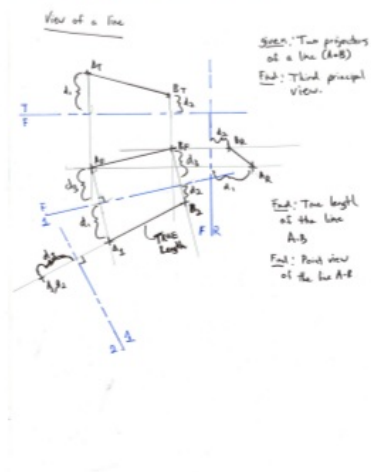
Copyright © 2011 The McGraw-Hill Companies, Inc.



Auxiliary View of a Point



Auxiliary View of a Line



Auxiliary View of a Plane

